

Kettenradscheiben - duplex

GG-Bestell-Nr.	Zz	D _K	D	D _L
500-082-0008	8	24.0	20.90	6
500-082-0009	9	26.6	23.39	6
500-082-0010	10	29.2	25.89	8
500-082-0011	11	31.7	28.39	8
500-082-0012	12	34.2	30.91	8
500-082-0013	13	36.7	33.42	8
500-082-0014	14	39.2	35.95	8
500-082-0015	15	41.7	38.48	8
500-082-0016	16	44.3	41.01	10
500-082-0017	17	46.8	43.53	10
500-082-0018	18	49.3	46.07	10
500-082-0019	19	51.9	48.61	10
500-082-0020	20	54.4	51.14	10
500-082-0021	21	57.0	53.67	10
500-082-0022	22	59.5	56.21	10
500-082-0023	23	62.0	58.75	10
500-082-0024	24	64.6	61.29	10

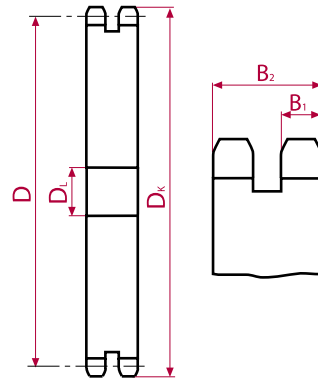
GG-Bestell-Nr.	Zz	D _K	D	D _L
500-082-0025	25	67.5	63.83	10
500-082-0026	26	69.5	66.37	12
500-082-0027	27	72.2	68.91	12
500-082-0028	28	74.8	71.45	12
500-082-0029	29	77.3	73.99	12
500-082-0030	30	79.8	76.53	12
500-082-0031	31	82.4	79.08	12
500-082-0032	32	84.9	81.61	12
500-082-0033	33	87.5	84.16	12
500-082-0034	34	90.0	86.70	12
500-082-0035	35	92.5	89.24	12
500-082-0036	36	95.0	91.79	12
500-082-0037	37	97.6	94.33	12
500-082-0038	38	100.2	96.88	12
500-082-0039	39	102.7	99.42	12
500-082-0040	40	105.2	101.97	12
500-082-0041	41	107.8	104.51	14

Rollenkette DIN 8187

05 B-2	Teilung	8,0mm
8,0 x 3,0mm	Innere Breite	3,0mm
	Rollen ø	5,0mm

Kettenrad DIN 8196

Zahnbreite B1	2,8mm
Zahnbreite B2	8,3mm
Werkstoff:	C45



Kettenradscheiben - duplex

GG-Bestell-Nr.	Zz	D _k	D	D _l
500-082-0042	42	110.4	107.05	14
500-082-0043	43	112.9	109.60	14
500-082-0044	44	115.5	112.14	14
500-082-0045	45	118.0	114.69	14
500-082-0046	46	120.6	117.23	14
500-082-0047	47	123.1	119.77	14
500-082-0048	48	125.6	122.32	14
500-082-0049	49	128.2	124.86	14
500-082-0050	50	130.7	127.41	14
500-082-0051	51	133.3	129.95	16
500-082-0052	52	135.8	132.49	16
500-082-0053	53	138.4	135.04	16
500-082-0054	54	140.9	137.59	16
500-082-0055	55	143.5	140.13	16
500-082-0056	56	146.0	142.68	16
500-082-0057	57	148.6	145.22	16
500-082-0058	58	151.0	147.77	16

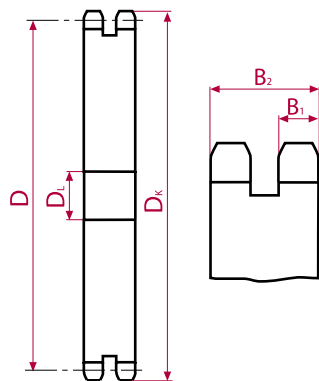
GG-Bestell-Nr.	Zz	D _k	D	D _l
500-082-0059	59	153.6	150.31	16
500-082-0060	60	156.2	152.85	16
500-082-0062	62	162.0	157.95	20
500-082-0064	64	167.1	163.04	20
500-082-0065	65	169.2	165.58	20
500-082-0066	66	172.2	168.13	20
500-082-0070	70	182.4	178.31	20
500-082-0072	72	187.5	183.41	20
500-082-0075	75	195.1	191.04	20
500-082-0076	76	197.7	193.59	20
500-082-0080	80	207.9	203.77	20
500-082-0085	85	220.6	216.50	20
500-082-0090	90	233.4	229.23	20
500-082-0095	95	246.1	241.96	20
500-082-0100	100	258.9	254.68	20
500-082-0114	114	294.5	290.33	20

Rollenkette DIN 8187

05 B-2	Teilung	8,0mm
8,0 x 3,0mm	Innere Breite	3,0mm
	Rollen ø	5,0mm

Kettenrad DIN 8196

Zahnbreite B1	2,8mm
Zahnbreite B2	8,3mm
Werkstoff:	C45



Kettenradscheiben - duplex

GG-Bestell-Nr.	Zz	D _K	D	D _L
500-102-0008	8	28.0	24.89	6
500-102-0009	9	31.0	27.85	8
500-102-0010	10	34.0	30.82	8
500-102-0011	11	37.0	33.80	10
500-102-0012	12	40.0	36.80	10
500-102-0013	13	43.0	39.80	10
500-102-0014	14	46.3	42.80	10
500-102-0015	15	49.3	45.81	10
500-102-0016	16	52.3	48.82	12
500-102-0017	17	55.3	51.83	12
500-102-0018	18	58.3	54.85	12
500-102-0019	19	61.3	57.87	12
500-102-0020	20	64.3	60.89	12
500-102-0021	21	68.0	63.91	12
500-102-0022	22	71.0	66.93	12
500-102-0023	23	73.5	69.95	12
500-102-0024	24	77.0	72.97	12
500-102-0025	25	80.0	76.00	12

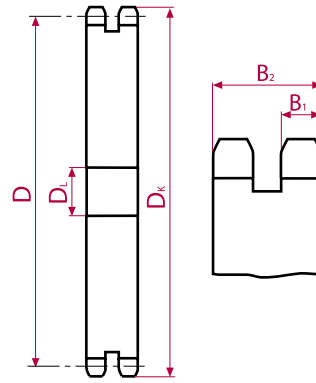
GG-Bestell-Nr.	Zz	D _K	D	D _L
500-102-0026	26	83.0	79.02	12
500-102-0027	27	86.0	82.04	12
500-102-0028	28	89.0	85.07	12
500-102-0029	29	92.0	88.09	12
500-102-0030	30	94.7	91.12	12
500-102-0031	31	98.3	94.15	14
500-102-0032	32	101.3	97.17	14
500-102-0033	33	104.3	100.20	14
500-102-0034	34	107.3	103.23	14
500-102-0035	35	110.4	106.26	14
500-102-0036	36	113.4	109.29	14
500-102-0037	37	116.4	112.32	14
500-102-0038	38	119.5	115.34	14
500-102-0039	39	122.5	118.37	14
500-102-0040	40	125.5	121.40	14
500-102-0041	41	128.5	124.43	16
500-102-0042	42	131.6	127.46	16
500-102-0043	43	134.6	130.49	16

Rollenkette DIN 8187

06 B-2	Teilung	9,525mm
3/8 x 7/32"	Innere Breite	5,72mm
9,525 x 5,72mm	Rollen ø	6,35mm

Kettenrad DIN 8196

Zahnbreite B1	5,3mm
Zahnbreite B2	15,4mm
Werkstoff:	C45



Kettenradscheiben - duplex

GG-Bestell-Nr.	Zz	D _k	D	D _l
500-102-0044	44	137.6	133.52	16
500-102-0045	45	140.7	136.54	16
500-102-0046	46	143.7	139.58	16
500-102-0047	47	146.7	142.61	16
500-102-0048	48	149.7	145.64	16
500-102-0049	49	152.7	148.66	16
500-102-0050	50	155.7	151.69	16
500-102-0051	51	158.7	154.72	16
500-102-0052	52	161.8	157.75	16
500-102-0053	53	164.8	160.78	16
500-102-0054	54	167.8	163.82	16
500-102-0055	55	170.8	166.85	16
500-102-0056	56	173.8	169.88	16
500-102-0057	57	176.9	172.91	16
500-102-0058	58	179.9	175.93	16
500-102-0059	59	183.0	178.96	16
500-102-0060	60	186.0	181.99	16
500-102-0062	62	192.1	188.06	20

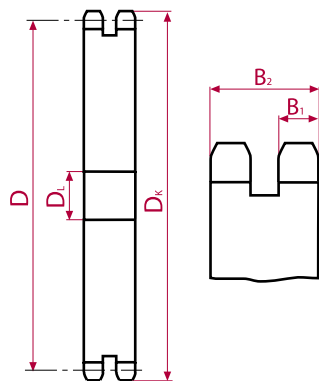
GG-Bestell-Nr.	Zz	D _k	D	D _l
500-102-0064	64	198.2	194.12	20
500-102-0065	65	201.6	197.15	20
500-102-0066	66	204.6	200.18	20
500-102-0068	68	210.7	206.24	20
500-102-0070	70	216.7	212.30	20
500-102-0072	72	222.8	218.37	20
500-102-0075	75	231.9	227.46	20
500-102-0076	76	234.9	230.49	20
500-102-0080	80	247.1	242.61	20
500-102-0085	85	262.2	257.77	20
500-102-0090	90	277.4	272.93	20
500-102-0095	95	292.5	288.08	20
500-102-0100	100	307.7	303.25	20
500-102-0114	114	349.5	345.68	20
500-102-0120	120	368.3	363.86	20
500-102-0125	125	383.5	379.02	20

Rollenkette DIN 8187

06 B-2	Teilung	9,525mm
3/8 x 7/32"	Innere Breite	5,72mm
9,525 x 5,72mm	Rollen ø	6,35mm

Kettenrad DIN 8196

Zahnbreite B1	5,3mm
Zahnbreite B2	15,4mm
Werkstoff:	C45



Kettenradscheiben - duplex

GG-Bestell-Nr.	Zz	D _K	D	D _L
500-202-0008	8	37.2	33.18	10
500-202-0009	9	41.5	37.13	10
500-202-0010	10	46.2	41.10	10
500-202-0011	11	49.6	45.07	10
500-202-0012	12	53.9	49.07	10
500-202-0013	13	58.4	53.06	10
500-202-0014	14	62.8	57.07	10
500-202-0015	15	66.8	61.09	10
500-202-0016	16	70.9	65.10	12
500-202-0017	17	74.9	69.11	12
500-202-0018	18	78.9	73.14	12
500-202-0019	19	82.9	77.16	12
500-202-0020	20	86.9	81.19	12
500-202-0021	21	91.0	85.22	16
500-202-0022	22	95.0	89.24	16
500-202-0023	23	99.0	93.27	16
500-202-0024	24	103.0	97.29	16
500-202-0025	25	107.1	101.33	16

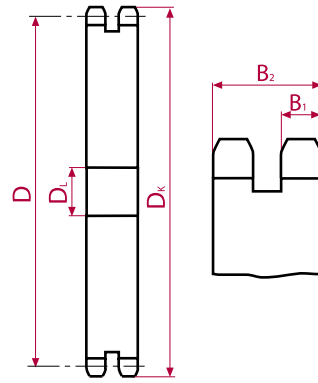
GG-Bestell-Nr.	Zz	D _K	D	D _L
500-202-0026	26	111.2	105.36	16
500-202-0027	27	115.4	109.40	16
500-202-0028	28	119.4	113.42	16
500-202-0029	29	123.4	117.46	16
500-202-0030	30	127.5	121.50	16
500-202-0031	31	130.2	125.54	16
500-202-0032	32	135.5	129.56	16
500-202-0033	33	139.6	133.60	16
500-202-0034	34	143.6	137.64	16
500-202-0035	35	147.6	141.68	16
500-202-0036	36	151.7	145.72	20
500-202-0037	37	155.7	149.76	20
500-202-0038	38	159.8	153.80	20
500-202-0039	39	163.8	157.83	20
500-202-0040	40	167.8	161.87	20
500-202-0041	41	171.4	165.91	20
500-202-0042	42	175.4	169.95	20
500-202-0043	43	179.7	173.99	20

Rollenkette DIN 8187

08 B-2	Teilung	12,7mm
1/2 x 5/16"	Innere Breite	7,75mm
12,7 x 7,75mm	Rollen ø	8,51mm

Kettenrad DIN 8196

Zahnbreite B1	7,2mm
Zahnbreite B2	21,0mm
Werkstoff:	C45



Kettenradscheiben - duplex

GG-Bestell-Nr.	Zz	D _K	D	D _L
500-202-0044	44	183.5	178.03	20
500-202-0045	45	187.5	182.07	20
500-202-0046	46	191.6	186.10	20
500-202-0047	47	195.6	190.14	20
500-202-0048	48	199.7	194.18	20
500-202-0049	49	203.7	198.22	20
500-202-0050	50	207.8	202.26	20
500-202-0051	51	211.8	206.30	25
500-202-0052	52	215.9	210.34	25
500-202-0053	53	219.9	214.37	25
500-202-0054	54	224.0	218.43	25
500-202-0055	55	228.0	222.46	25
500-202-0056	56	232.1	226.50	25
500-202-0057	57	236.1	230.54	25
500-202-0058	58	240.2	234.58	25
500-202-0059	59	244.2	238.62	25
500-202-0060	60	248.2	242.66	25
500-202-0062	62	256.7	250.75	25

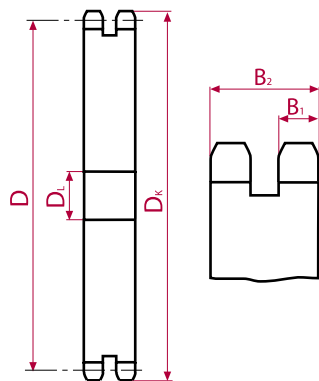
GG-Bestell-Nr.	Zz	D _K	D	D _L
500-202-0064	64	264.8	258.82	25
500-202-0065	65	268.8	262.86	25
500-202-0066	66	272.9	266.93	25
500-202-0068	68	280.9	274.99	25
500-202-0070	70	289.0	283.07	25
500-202-0072	72	297.1	291.16	25
500-202-0075	75	309.2	303.27	25
500-202-0076	76	313.3	307.33	25
500-202-0078	78	321.4	315.40	25
500-202-0080	80	329.4	323.48	25
500-202-0085	85	349.7	343.70	25
500-202-0090	90	369.9	363.90	25
500-202-0095	95	390.1	384.11	25
500-202-0100	100	410.3	404.31	25
500-202-0110	110	450.7	444.74	25
500-202-0114	114	466.9	460.90	25
500-202-0120	120	491.2	485.16	25
500-202-0125	125	511.3	505.37	25

Rollenkette DIN 8187

08 B-2	Teilung	12,7mm
1/2 x 5/16"	Innere Breite	7,75mm
12,7 x 7,75mm	Rollen ø	8,51mm

Kettenrad DIN 8196

Zahnbreite B1	7,2mm
Zahnbreite B2	21,0mm
Werkstoff:	C45



Kettenradscheiben - duplex

GG-Bestell-Nr.	Zz	D _K	D	D _L
500-302-0008	8	47.0	41.48	10
500-302-0009	9	52.6	46.42	10
500-302-0010	10	57.5	51.37	10
500-302-0011	11	63.0	56.34	12
500-302-0012	12	68.0	61.34	12
500-302-0013	13	73.0	66.32	12
500-302-0014	14	78.0	71.34	12
500-302-0015	15	83.0	76.36	12
500-302-0016	16	88.0	81.37	12
500-302-0017	17	93.0	86.39	12
500-302-0018	18	98.3	91.42	12
500-302-0019	19	103.3	96.45	12
500-302-0020	20	108.4	101.49	12
500-302-0021	21	113.4	106.52	16
500-302-0022	22	118.0	111.55	16
500-302-0023	23	123.4	116.58	16

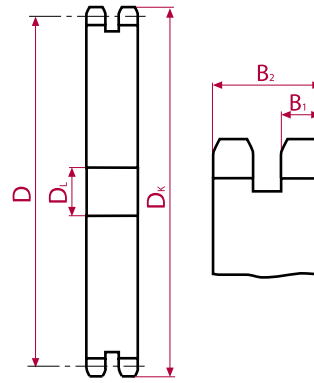
GG-Bestell-Nr.	Zz	D _K	D	D _L
500-302-0024	24	128.3	121.62	16
500-302-0025	25	134.0	126.66	16
500-302-0026	26	139.0	131.70	16
500-302-0027	27	144.0	136.75	16
500-302-0028	28	148.7	141.78	16
500-302-0029	29	153.8	146.83	16
500-302-0030	30	158.8	151.87	16
500-302-0031	31	163.9	156.92	20
500-302-0032	32	168.9	161.95	20
500-302-0033	33	174.5	167.00	20
500-302-0034	34	179.0	172.05	20
500-302-0035	35	184.1	177.10	20
500-302-0036	36	189.1	182.15	20
500-302-0037	37	194.2	187.20	20
500-302-0038	38	199.2	192.24	20
500-302-0039	39	204.2	197.29	20

Rollenkette DIN 8187

10 B-2	Teilung	15,875mm
5/8 x 3/8"	Innere Breite	9,65mm
15,875 x 9,65mm	Rollen ø	10,16mm

Kettenrad DIN 8196

Zahnbreite B1	9,1mm
Zahnbreite B2	25,5mm
Werkstoff:	C45



Kettenradscheiben - duplex

GG-Bestell-Nr.	Zz	D _K	D	D _L
500-302-0040	40	209.3	202.34	20
500-302-0041	41	214.8	207.39	20
500-302-0042	42	219.9	212.44	20
500-302-0043	43	224.9	217.49	20
500-302-0044	44	230.0	222.53	20
500-302-0045	45	235.0	227.58	20
500-302-0046	46	240.1	232.63	25
500-302-0047	47	245.1	237.68	25
500-302-0048	48	250.2	242.73	25
500-302-0049	49	255.2	247.78	25
500-302-0050	50	260.3	252.82	25
500-302-0051	51	265.3	257.87	25
500-302-0052	52	270.4	262.92	25
500-302-0053	53	275.4	267.97	25
500-302-0054	54	280.5	273.03	25
500-302-0055	55	285.5	278.08	25

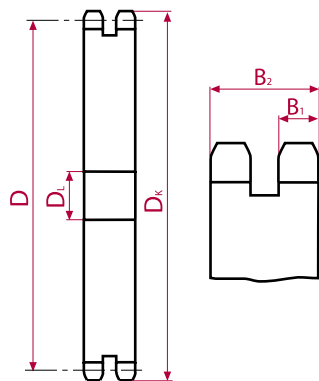
GG-Bestell-Nr.	Zz	D _K	D	D _L
500-302-0056	56	290.6	283.13	25
500-302-0057	57	296.0	288.18	25
500-302-0058	58	300.7	293.23	25
500-302-0059	59	305.7	298.27	25
500-302-0060	60	310.8	303.32	25
500-302-0062	62	321.4	313.43	25
500-302-0065	65	336.5	328.58	25
500-302-0070	70	361.8	353.84	25
500-302-0075	75	387.1	379.09	25
500-302-0080	80	412.3	404.35	25
500-302-0085	85	437.6	429.62	30
500-302-0090	90	462.8	454.88	30
500-302-0095	95	488.5	480.14	30

Rollenkette DIN 8187

10 B-2	Teilung	15,875mm
5/8 x 3/8"	Innere Breite	9,65mm
15,875 x 9,65mm	Rollen ø	10,16mm

Kettenrad DIN 8196

Zahnbreite B1	9,1mm
Zahnbreite B2	25,5mm
Werkstoff:	C45



Kettenradscheiben - duplex

GG-Bestell-Nr.	Zz	D _K	D	D _L
500-402-0008	8	57.6	49.78	12
500-402-0009	9	62.0	55.70	12
500-402-0010	10	69.0	61.64	12
500-402-0011	11	75.0	67.61	14
500-402-0012	12	81.5	73.60	14
500-402-0013	13	87.5	79.59	14
500-402-0014	14	93.6	85.61	14
500-402-0015	15	99.8	91.63	14
500-402-0016	16	105.5	97.65	16
500-402-0017	17	111.5	103.67	16
500-402-0018	18	118.0	109.71	16
500-402-0019	19	124.2	115.75	16
500-402-0020	20	129.7	121.78	16
500-402-0021	21	136.0	127.82	16
500-402-0022	22	141.8	133.86	16
500-402-0023	23	149.0	139.90	16

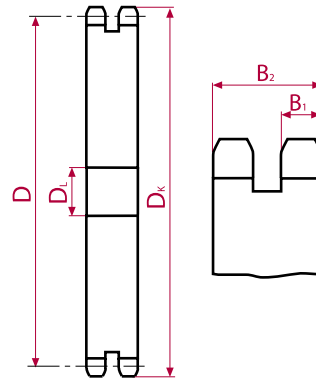
GG-Bestell-Nr.	Zz	D _K	D	D _L
500-402-0024	24	153.9	145.94	16
500-402-0025	25	160.0	152.00	16
500-402-0026	26	165.9	158.04	20
500-402-0027	27	172.3	164.09	20
500-402-0028	28	178.0	170.13	20
500-402-0029	29	184.1	176.19	20
500-402-0030	30	190.5	182.25	20
500-402-0031	31	196.3	188.31	20
500-402-0032	32	203.3	194.35	20
500-402-0033	33	209.3	200.40	20
500-402-0034	34	214.6	206.46	20
500-402-0035	35	221.0	212.52	20
500-402-0036	36	226.8	218.58	25
500-402-0037	37	232.9	224.64	25
500-402-0038	38	239.0	230.69	25
500-402-0039	39	245.1	236.75	25

Rollenkette DIN 8187

12 B-2	Teilung	19,05mm
3/4 x 7/16"	Innere Breite	11,68mm
19,05 x 11,68mm	Rollen ø	12,07mm

Kettenrad DIN 8196

Zahnbreite B1	11,1mm
Zahnbreite B2	30,3mm
Werkstoff:	C45



Kettenradscheiben - duplex

GG-Bestell-Nr.	Zz	D _K	D	D _L
500-402-0040	40	251.3	242.81	25
500-402-0041	41	257.3	248.87	25
500-402-0042	42	264.5	254.93	25
500-402-0043	43	270.5	260.98	25
500-402-0044	44	276.5	267.03	25
500-402-0045	45	282.5	273.10	25
500-402-0046	46	287.9	279.16	25
500-402-0047	47	294.0	285.21	25
500-402-0048	48	300.1	291.27	25
500-402-0049	49	306.2	297.33	25
500-402-0050	50	312.3	303.39	25
500-402-0051	51	318.4	309.45	25
500-402-0052	52	324.5	315.50	25
500-402-0053	53	330.5	321.56	25
500-402-0054	54	336.6	327.64	25
500-402-0055	55	342.7	337.70	25

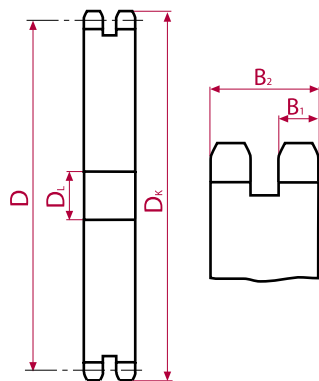
GG-Bestell-Nr.	Zz	D _K	D	D _L
500-402-0056	56	348.7	339.75	25
500-402-0057	57	355.4	345.81	25
500-402-0058	58	361.5	351.87	25
500-402-0059	59	367.5	357.93	25
500-402-0060	60	373.0	363.99	25
500-402-0062	62	385.1	376.12	30
500-402-0065	65	403.2	394.29	30
500-402-0070	70	433.6	424.60	30
500-402-0075	75	463.9	454.91	30
500-402-0080	80	494.2	485.22	30
500-402-0085	85	524.5	515.55	30
500-402-0090	90	554.8	545.86	30
500-402-0095	95	585.1	576.17	30

Rollenkette DIN 8187

12 B-2	Teilung	19,05mm
3/4 x 7/16"	Innere Breite	11,68mm
19,05 x 11,68mm	Rollen ø	12,07mm

Kettenrad DIN 8196

Zahnbreite B1	11,1mm
Zahnbreite B2	30,3mm
Werkstoff:	C45



Kettenradscheiben - duplex

GG-Bestell-Nr.	Zz	D _K	D	D _L
500-502-0008	8	77.0	66.37	16
500-502-0009	9	85.0	74.27	16
500-502-0010	10	93.0	82.19	16
500-502-0011	11	99.5	90.14	20
500-502-0012	12	109.0	98.14	20
500-502-0013	13	117.0	106.12	20
500-502-0014	14	125.0	114.15	20
500-502-0015	15	133.0	122.17	20
500-502-0016	16	141.0	130.20	20
500-502-0017	17	149.0	138.22	20
500-502-0018	18	157.0	146.28	20
500-502-0019	19	165.2	154.33	20
500-502-0020	20	173.2	162.38	20
500-502-0021	21	181.2	170.43	25
500-502-0022	22	189.3	178.48	25
500-502-0023	23	197.5	186.53	25
500-502-0024	24	205.5	194.59	25
500-502-0025	25	213.5	202.66	25
500-502-0026	26	221.6	210.72	25
500-502-0027	27	229.6	218.79	25
500-502-0028	28	237.7	226.85	25
500-502-0029	29	245.8	234.92	25
500-502-0030	30	254.0	243.00	25
500-502-0031	31	262.0	251.08	25
500-502-0032	32	270.0	259.13	25
500-502-0033	33	278.5	267.21	25
500-502-0034	34	287.0	275.28	25
500-502-0035	35	296.2	283.36	25

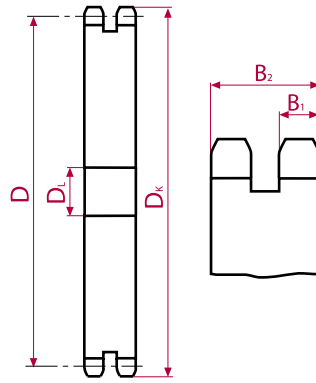
GG-Bestell-Nr.	Zz	D _K	D	D _L
500-502-0036	36	304.6	291.44	25
500-502-0037	37	312.6	299.51	25
500-502-0038	38	320.7	307.59	25
500-502-0039	39	328.8	315.67	25
500-502-0040	40	336.9	323.73	25
500-502-0041	41	345.0	331.82	25
500-502-0042	42	353.0	339.90	25
500-502-0043	43	361.1	347.98	25
500-502-0044	44	369.1	356.06	25
500-502-0045	45	377.1	364.12	25
500-502-0046	46	385.2	372.21	30
500-502-0047	47	393.2	380.29	30
500-502-0048	48	401.3	388.36	30
500-502-0050	50	417.4	404.52	30
500-502-0051	51	425.5	412.60	30
500-502-0052	52	433.6	420.67	30
500-502-0055	55	457.9	444.93	30
500-502-0056	56	466.0	453.01	30
500-502-0057	57	474.0	461.07	30
500-502-0060	60	498.3	485.32	30
500-502-0062	62	514.5	501.50	30
500-502-0065	65	538.8	525.73	30
500-502-0070	70	579.2	566.14	30
500-502-0075	75	619.7	606.55	30
500-502-0080	80	660.0	646.96	30
500-502-0085	85	699.9	687.40	30
500-502-0090	90	740.3	727.81	30
500-502-0095	95	781.1	768.22	30

Rollenkette DIN 8187

16 B-2	Teilung	25,40mm
1" x 17,02mm	Innere Breite	17,02mm
25,4 x 17,02mm	Rollen ø	15,88mm

Kettenrad DIN 8196

Zahnbreite B1	16,2mm
Zahnbreite B2	47,7mm
Werkstoff:	C45



Kettenradscheiben - duplex

GG-Bestell-Nr.	Zz	D _K	D	D _L
500-602-0008	8	98.1	82.96	20
500-602-0009	9	108.0	92.84	20
500-602-0010	10	117.9	102.74	20
500-602-0011	11	127.8	112.68	20
500-602-0012	12	137.8	122.68	20
500-602-0013	13	147.8	132.65	20
500-602-0014	14	157.8	142.68	20
500-602-0015	15	167.9	152.72	20
500-602-0016	16	177.9	162.75	25
500-602-0017	17	187.9	172.78	25
500-602-0018	18	198.0	182.85	25
500-602-0019	19	208.1	192.91	25
500-602-0020	20	218.1	202.98	25
500-602-0021	21	228.2	213.04	25
500-602-0022	22	238.3	223.11	25
500-602-0023	23	248.3	233.17	25
500-602-0024	24	258.4	243.23	25

GG-Bestell-Nr.	Zz	D _K	D	D _L
500-602-0025	25	268.5	253.33	25
500-602-0026	26	278.6	263.40	25
500-602-0027	27	288.6	273.48	25
500-602-0028	28	298.7	283.56	25
500-602-0029	29	308.8	293.65	25
500-602-0030	30	318.9	303.75	25
500-602-0031	31	329.0	313.85	25
500-602-0032	32	339.1	323.91	25
500-602-0033	33	349.2	334.01	25
500-602-0034	34	359.3	344.10	25
500-602-0035	35	369.4	354.20	25
500-602-0036	36	379.5	364.30	30
500-602-0037	37	389.5	374.39	30
500-602-0038	38	399.6	384.49	30
500-602-0039	39	409.7	394.59	30
500-602-0040	40	419.8	404.66	30

Rollenkette DIN 8187

20 B-2	Teilung	31,75mm
1 1/4" x 3/4"	Innere Breite	19,56mm
31,75 x 19,56mm	Rollen ø	19,05mm

Kettenrad DIN 8196

Zahnbreite B1	18,5mm
Zahnbreite B2	54,6mm
Werkstoff:	C45