

Antriebstechnik

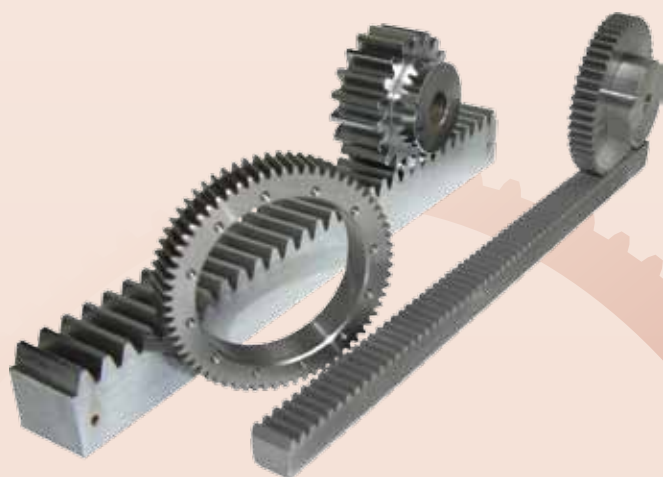
Keilwellen

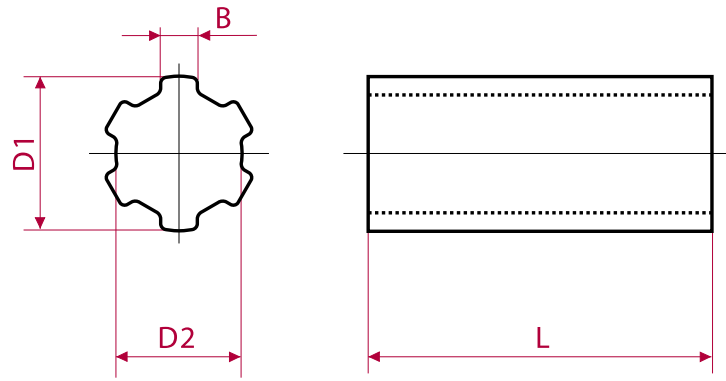
Keilwellen rostfrei

Keilwellenmuffen rund

Keilwellenmuffen Flansch

Sonderanfertigungen komplett nach Ihrer Zeichnung sowie mechanische Bearbeitung von Standardteilen auf Anfrage.

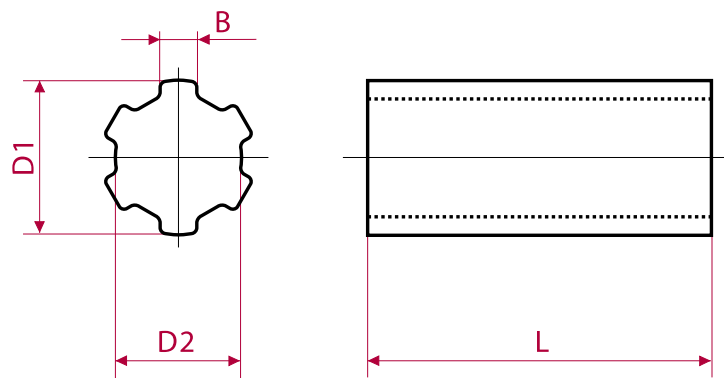




Keilwellen

GG-Bestell-Nr.	Profil	L	D1	D2	B
394-011-0100	6x11x14	1000	14	11	3
394-011-0150	6x11x14	1500	14	11	3
394-011-0200	6x11x14	2000	14	11	3
394-011-0300	6x11x14	3000	14	11	3
394-013-0100	6x13x16	1000	16	13	3.5
394-013-0150	6x13x16	1500	16	13	3.5
394-013-0200	6x13x16	2000	16	13	3.5
394-013-0300	6x13x16	3000	16	13	3.5
394-016-0100	6x16x20	1000	20	16	4
394-016-0150	6x16x20	1500	20	16	4
394-016-0200	6x16x20	2000	20	16	4
394-016-0300	6x16x20	3000	20	16	4
394-018-0100	6x18x22	1000	22	18	5
394-018-0150	6x18x22	1500	22	18	5
394-018-0200	6x18x22	2000	22	18	5
394-018-0300	6x18x22	3000	22	18	5
394-021-0100	6x21x25	1000	25	21	5
394-021-0150	6x21x25	1500	25	21	5
394-021-0200	6x21x25	2000	25	21	5
394-021-0300	6x21x25	3000	25	21	5
394-023-0100	6x23x28	1000	28	23	6
394-023-0150	6x23x28	1500	28	23	6
394-023-0200	6x23x28	2000	28	23	6
394-023-0300	6x23x28	3000	28	23	6

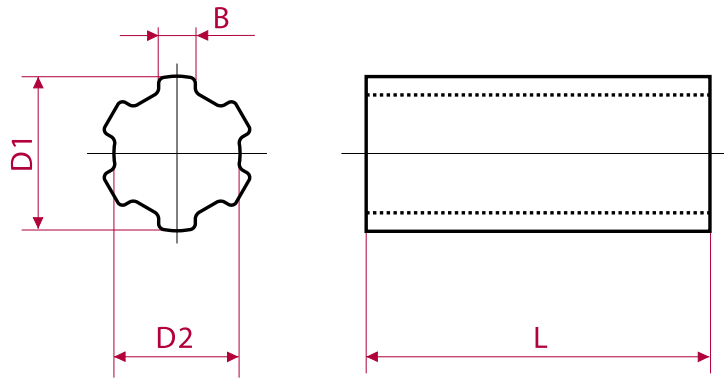
kalt gezogen
ähnlich DIN ISO 14
Material: C45



Keilwellen

GG-Bestell-Nr.	Profil	L	D1	D2	B
394-026-0100	6x26x32	1000	32	26	6
394-026-0150	6x26x32	1500	32	26	6
394-026-0200	6x26x32	2000	32	26	6
394-026-0300	6x26x32	3000	32	26	6
394-028-0100	6x28x34	1000	34	28	7
394-028-0150	6x28x34	1500	34	28	7
394-028-0200	6x28x34	2000	34	28	7
394-028-0300	6x28x34	3000	34	28	7
394-032-0100	8x32x38	1000	38	32	6
394-032-0150	8x32x38	1500	38	32	6
394-032-0200	8x32x38	2000	38	32	6
394-032-0300	8x32x38	3000	38	32	6
394-036-0100	8x36x42	1000	42	36	7
394-036-0150	8x36x42	1500	42	36	7
394-036-0200	8x36x42	2000	42	36	7
394-036-0300	8x36x42	3000	42	36	7
394-042-0100	8x42x48	1000	48	42	8
394-042-0150	8x42x48	1500	48	42	8
394-042-0200	8x42x48	2000	48	42	8
394-042-0300	8x42x48	3000	48	42	8
394-046-0100	8x46x54	1000	54	46	8
394-046-0150	8x46x54	1500	54	46	8
394-046-0200	8x46x54	2000	54	46	8
394-046-0300	8x46x54	3000	54	46	8

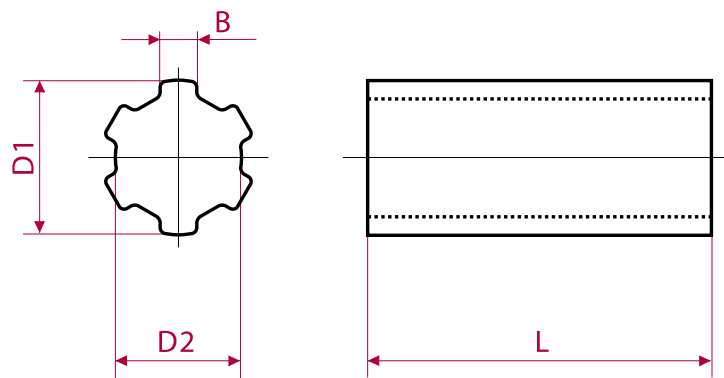
kalt gezogen
 ähnlich DIN ISO 14
 Material: C45



Keilwellen rostfrei

GG-Bestell-Nr.	Profil	L	D1	D2	B
394-011-6100	6x11x14	1000	14	11	3
394-011-6150	6x11x14	1500	14	11	3
394-011-6200	6x11x14	2000	14	11	3
394-011-6300	6x11x14	3000	14	11	3
394-013-6100	6x13x16	1000	16	13	3.5
394-013-6150	6x13x16	1500	16	13	3.5
394-013-6200	6x13x16	2000	16	13	3.5
394-013-6300	6x13x16	3000	16	13	3.5
394-016-6100	6x16x20	1000	20	16	4
394-016-6150	6x16x20	1500	20	16	4
394-016-6200	6x16x20	2000	20	16	4
394-016-6300	6x16x20	3000	20	16	4
394-018-6100	6x18x22	1000	22	18	5
394-018-6150	6x18x22	1500	22	18	5
394-018-6200	6x18x22	2000	22	18	5
394-018-6300	6x18x22	3000	22	18	5
394-021-6100	6x21x25	1000	25	21	5
394-021-6150	6x21x25	1500	25	21	5
394-021-6200	6x21x25	2000	25	21	5
394-021-6300	6x21x25	3000	25	21	5
394-023-6100	6x23x28	1000	28	23	6
394-023-6150	6x23x28	1500	28	23	6
394-023-6200	6x23x28	2000	28	23	6
394-023-6300	6x23x28	3000	28	23	6

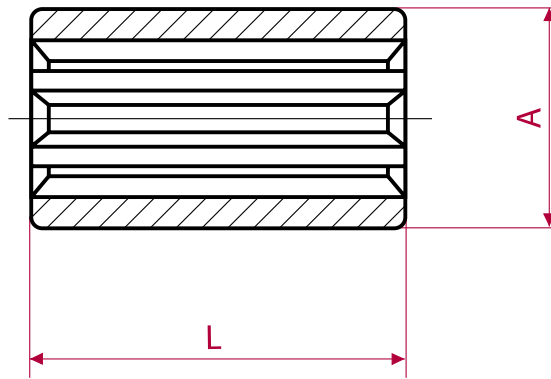
kalt gezogen
ähnlich DIN ISO 14
Material: 1.4301



Keilwellen rostfrei

GG-Bestell-Nr.	Profil	L	D1	D2	B
394-026-6100	6x26x32	1000	32	26	6
394-026-6150	6x26x32	1500	32	26	6
394-026-6200	6x26x32	2000	32	26	6
394-026-6300	6x26x32	3000	32	26	6
394-028-6100	6x28x34	1000	34	28	7
394-028-6150	6x28x34	1500	34	28	7
394-028-6200	6x28x34	2000	34	28	7
394-028-6300	6x28x34	3000	34	28	7
394-032-6100	8x32x38	1000	38	32	6
394-032-6150	8x32x38	1500	38	32	6
394-032-6200	8x32x38	2000	38	32	6
394-032-6300	8x32x38	3000	38	32	6
394-036-6100	8x36x42	1000	42	36	7
394-036-6150	8x36x42	1500	42	36	7
394-036-6200	8x36x42	2000	42	36	7
394-036-6300	8x36x42	3000	42	36	7
394-042-6100	8x42x48	1000	48	42	8
394-042-6150	8x42x48	1500	48	42	8
394-042-6200	8x42x48	2000	48	42	8
394-042-6300	8x42x48	3000	48	42	8

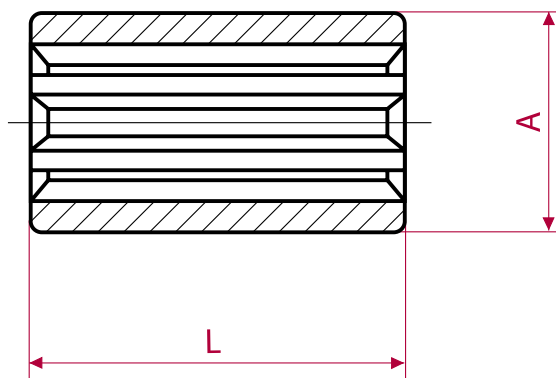
kalt gezogen
 ähnlich DIN ISO 14
 Material: 1.4301



Keilwellenmuffen rund

GG-Bestell-Nr.	Profil	DH11	DH7	BD9	A	L	Material
395-011-0000	6x11x14	14	11	3	20	40.00	C45
395-013-0000	6x13x16	16	13	3.5	28	45.00	C45
395-016-0000	6x16x20	20	16	4	32	45.00	C45
395-018-0000	6x18x22	22	18	5	40	50.00	C45
395-021-0000	6x21x25	25	21	5	40	55.00	C45
395-023-0000	6x23x28	28	23	6	50	55.00	C45
395-026-0000	6x26x32	32	26	6	52	60.00	C45
395-028-0000	6x28x34	34	28	7	60	60.00	C45
395-032-0000	8x32x38	38	32	6	60	60.00	C45
395-036-0000	8x36x42	42	36	7	70	65.00	C45
395-042-0000	8x42x48	48	42	8	65	70.00	C45
395-042-0001	8x42x48	48	42	8	80	70.00	C45
395-011-6000	6x11x14	14	11	3	20	40.00	1.4305
395-013-6000	6x13x16	16	13	3.5	28	45.00	1.4305
395-016-6000	6x16x20	20	16	4	32	45.00	1.4305
395-018-6000	6x18x22	22	18	5	40	50.00	1.4305
395-021-6000	6x21x25	25	21	5	40	55.00	1.4305
395-023-6000	6x23x28	28	23	6	50	55.00	1.4305

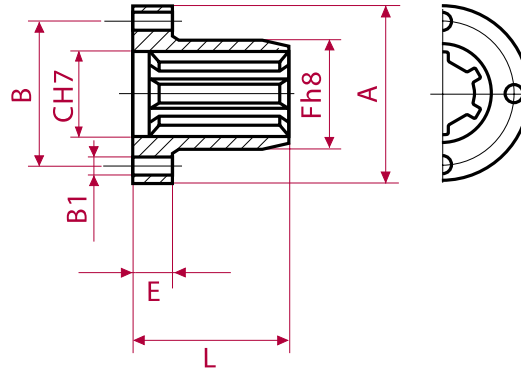
DIN ISO 14



Keilwellenmuffen rund

GG-Bestell-Nr.	Profil	DH11	DH7	BD9	A	L	Material
395-026-6000	6x26x32	32	26	6	52	60.00	1.4305
395-028-6000	6x28x34	34	28	7	60	60.00	1.4305
395-032-6000	8x32x38	38	32	6	60	60.00	1.4305
395-036-6000	8x36x42	42	36	7	70	65.00	1.4305
395-042-6000	8x42x48	48	42	8	65	70.00	1.4305
395-042-6001	8x42x48	48	42	8	80	70.00	1.4305
395-011-8000	6x11x14	14	11	3	20	40.00	Rg7
395-013-8000	6x13x16	16	13	3.5	28	45.00	Rg7
395-016-8000	6x16x20	20	16	4	32	45.00	Rg7
395-018-8000	6x18x22	22	18	5	40	50.00	Rg7
395-021-8000	6x21x25	25	21	5	40	55.00	Rg7
395-023-8000	6x23x28	28	23	6	50	55.00	Rg7
395-026-8000	6x26x32	32	26	6	52	60.00	Rg7
395-028-8000	6x28x34	34	28	7	60	60.00	Rg7
395-032-8000	8x32x38	38	32	6	60	60.00	Rg7
395-036-8000	8x36x42	42	36	7	70	65.00	Rg7
395-042-8000	8x42x48	48	42	8	65	70.00	Rg7
395-042-8001	8x42x48	48	42	8	80	70.00	Rg7

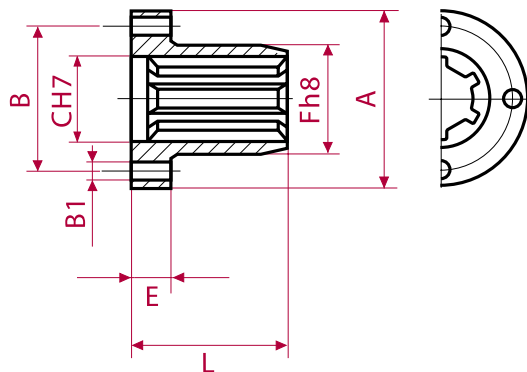
DIN ISO 14



Keilwellenmuffen Flansch

GG-Bestell-Nr.	Profil	A	B	B1	CH7	Fh8	DH7	E	H	L	Material
396-011-0000	6x11x14	42	28	4.5	20	20	11	8	3.0	35	C45
396-013-0000	6x13x16	50	36	4.5	22	25	13	8	3.0	40	C45
396-016-0000	6x16x20	52	38	5.5	25	28	16	10	3.0	40	C45
396-018-0000	6x18x22	54	40	5.5	30	30	18	10	3.5	45	C45
396-021-0000	6x21x25	62	48	6.6	35	34	21	10	3.5	50	C45
396-023-0000	6x23x28	64	50	6.6	36	36	23	10	3.5	55	C45
396-026-0000	6x26x32	70	56	6.6	40	42	26	10	3.5	60	C45
396-028-0000	6x28x34	78	60	9.0	46	45	28	12	3.5	60	C45
396-032-0000	8x32x38	82	65	9.0	50	50	32	12	3.5	60	C45
396-036-0000	8x36x42	90	70	9.0	52	52	36	16	4.0	80	C45
396-042-0000	8x42x48	95	75	11.0	60	60	42	16	4.0	80	C45
396-011-6000	6x11x14	42	28	4.5	20	20	11	8	3.0	35	1.4305
396-013-6000	6x13x16	50	36	4.5	22	25	13	8	3.0	40	1.4305
396-016-6000	6x16x20	52	38	5.5	25	28	16	10	3.0	40	1.4305
396-018-6000	6x18x22	54	40	5.5	30	30	18	10	3.5	45	1.4305
396-021-6000	6x21x25	62	48	6.6	35	34	21	10	3.5	50	1.4305
396-023-6000	6x23x28	64	50	6.6	36	36	23	10	3.5	55	1.4305

DIN ISO 14



Keilwellenmuffen Flansch

GG-Bestell-Nr.	Profil	A	B	B1	CH7	Fh8	DH7	E	H	L	Material
396-026-6000	6x26x32	70	56	6.6	40	42	26	10	3.5	60	1.4305
396-028-6000	6x28x34	78	60	9.0	46	45	28	12	3.5	60	1.4305
396-032-6000	8x32x38	82	65	9.0	50	50	32	12	3.5	60	1.4305
396-036-6000	8x36x42	90	70	9.0	52	52	36	16	4.0	80	1.4305
396-042-6000	8x42x48	95	75	11.0	60	60	42	16	4.0	80	1.4305
396-011-8000	6x11x14	42	28	4.5	20	20	11	8	3.0	35	Rg7
396-013-8000	6x13x16	50	36	4.5	22	25	13	8	3.0	40	Rg7
396-016-8000	6x16x20	52	38	5.5	25	28	16	10	3.0	40	Rg7
396-018-8000	6x18x22	54	40	5.5	30	30	18	10	3.5	45	Rg7
396-021-8000	6x21x25	62	48	6.6	35	34	21	10	3.5	50	Rg7
396-023-8000	6x23x28	64	50	6.6	36	36	23	10	3.5	55	Rg7
396-026-8000	6x26x32	70	56	6.6	40	42	26	10	3.5	60	Rg7
396-028-8000	6x28x34	78	60	9.0	46	45	28	12	3.5	60	Rg7
396-032-8000	8x32x38	82	65	9.0	50	50	32	12	3.5	60	Rg7
396-036-8000	8x36x42	90	70	9.0	52	52	36	16	4.0	80	Rg7
396-042-8000	8x42x48	95	75	11.0	60	60	42	16	4.0	80	Rg7

DIN ISO 14