

Antriebstechnik

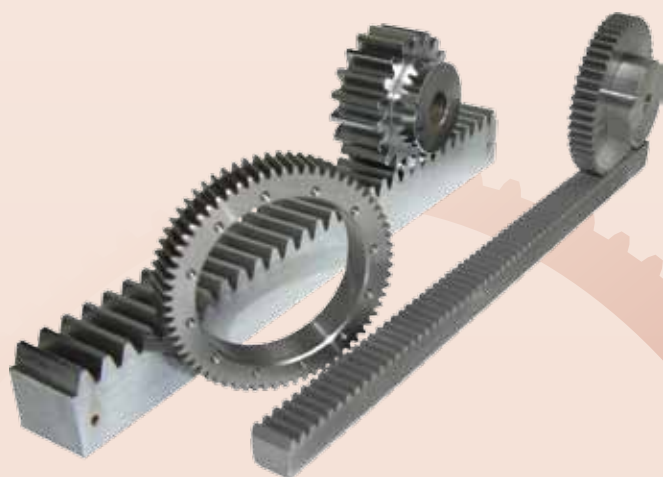
Kegelräder Typ A Übersetzung 1:1

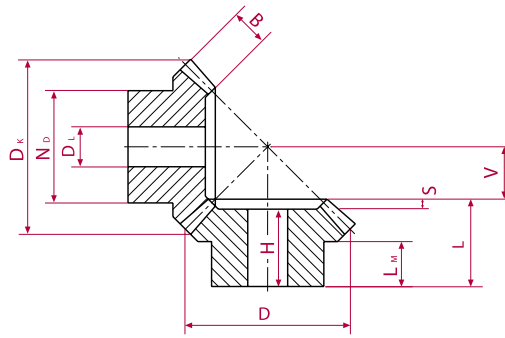
Kegelräder Typ A Übersetzung 1:2

Kegelräder Typ A Übersetzung 1:3

Kegelräder Typ A Übersetzung 1:4

Sonderanfertigungen komplett nach Ihrer Zeichnung sowie
mechanische Bearbeitung von Standardteilen auf Anfrage.

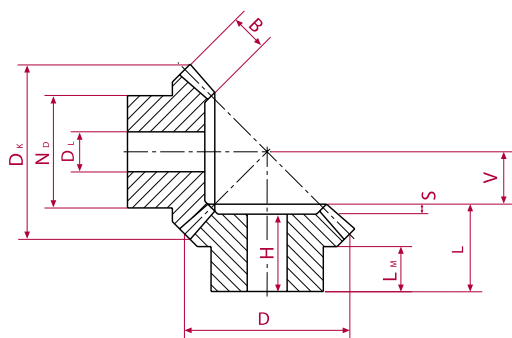




Kegelräder A 1:1

GG-Bestellnr.	Modul	Zz	D _k	D	B	N _D	D _L	L	V	H	L _M	S
455-015-1016	1.5	16	26.10	24.0	6.0	20.3	8.0	18.9	7.10	16.9	12.0	2.0
455-015-1020	1.5	20	32.10	30.0	10.0	22.0	10.0	20.0	7.40	18.0	8.5	2.0
455-015-1022	1.5	22	35.10	33.0	10.0	25.0	10.0	20.0	10.20	18.0	9.7	2.0
455-015-1025	1.5	25	39.60	37.5	10.0	28.0	10.0	23.0	11.09	21.0	12.0	2.0
455-015-1030	1.5	30	47.10	45.0	12.0	30.0	12.0	25.0	13.35	22.5	12.0	2.5
455-020-1016	2	16	34.80	32.0	8.0	25.3	10.0	23.5	9.50	20.5	14.0	3.0
455-020-1020	2	20	42.80	40.0	12.0	32.0	10.0	25.0	10.78	22.0	12.0	3.0
455-020-1022	2	22	46.80	44.0	12.0	36.0	10.0	25.0	12.70	22.0	11.7	3.0
455-020-1025	2	25	52.80	50.0	14.0	40.0	12.0	28.0	14.28	25.0	12.3	3.0
455-020-1030	2	30	62.80	60.0	16.0	50.0	12.0	30.0	17.78	27.0	12.8	3.0
455-025-1016	2.5	16	43.50	40.0	10.0	30.3	12.0	28.1	11.90	25.1	15.0	3.5
455-025-1020	2.5	20	53.50	50.0	12.0	40.0	12.0	30.5	15.43	27.0	16.0	3.5
455-025-1022	2.5	22	58.50	55.0	12.0	45.0	12.0	30.5	17.80	27.0	15.9	3.5
455-025-1025	2.5	25	66.00	62.5	15.0	50.0	15.0	33.5	19.48	30.0	16.0	3.5
455-025-1030	2.5	30	78.50	75.0	18.0	55.0	15.0	35.5	23.63	32.0	16.0	3.5
455-030-1016	3	16	52.20	48.0	12.0	40.3	15.0	31.7	14.30	28.0	18.0	4.0
455-030-1020	3	20	64.20	60.0	18.0	45.0	15.0	35.0	16.00	31.0	13.6	4.0
455-030-1022	3	22	70.20	66.0	18.0	50.0	15.0	35.0	19.00	31.0	13.0	4.0
455-030-1025	3	25	79.20	75.0	20.0	55.0	15.0	38.0	22.00	34.0	16.0	4.0
455-030-1030	3	30	94.20	90.0	22.0	60.0	20.0	40.0	28.00	36.0	17.0	4.0

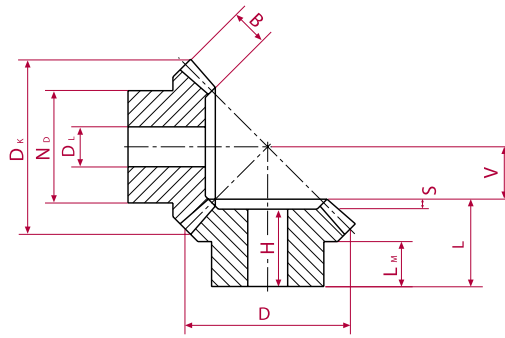
geradverzahnt
20° Eingriffswinkel
90° Achswinkel
Material C45



Kegelräder A 1:1

GG-Bestellnr.	Modul	Zz	D _K	D	B	N _D	D _L	L	V	H	L _M	S
455-035-1016	3.5	16	60.90	56.0	14.0	45.3	15.0	36.4	16.60	32.0	20.0	4.5
455-035-1020	3.5	20	74.90	70.0	22.0	55.0	15.0	40.5	18.13	36.0	17.0	4.5
455-035-1022	3.5	22	81.90	77.0	22.0	60.0	15.0	40.5	21.50	36.0	18.0	4.5
455-035-1025	3.5	25	92.40	87.5	26.0	65.0	20.0	43.5	23.97	39.0	18.0	4.5
455-035-1030	3.5	30	109.90	105.0	30.0	70.0	20.0	48.0	30.02	43.5	19.0	4.5
455-040-1016	4	16	69.60	64.0	15.0	50.3	15.0	44.3	19.70	39.8	25.0	5.0
455-040-1020	4	20	85.60	80.0	25.0	60.0	18.0	43.0	20.74	38.0	18.0	5.0
455-040-1022	4	22	93.60	88.0	25.0	65.0	18.0	43.0	24.70	38.0	18.0	5.0
455-040-1025	4	25	105.60	100.0	28.0	70.0	20.0	45.0	28.50	40.0	18.0	5.0
455-040-1030	4	30	125.60	120.0	32.0	80.0	25.0	48.0	35.67	43.0	16.0	5.0
455-045-1016	4.5	16	78.30	72.0	18.0	55.3	18.0	46.3	21.70	41.3	25.0	6.0
455-045-1020	4.5	20	96.30	90.0	28.0	65.0	20.0	48.0	23.41	42.0	18.0	6.0
455-045-1022	4.5	22	105.30	99.0	28.0	70.0	20.0	48.0	27.80	42.0	18.0	6.0
455-045-1025	4.5	25	118.80	112.5	32.0	75.0	20.0	50.0	31.76	44.0	18.0	6.0
455-045-1030	4.5	30	141.30	135.0	35.0	90.0	25.0	53.0	40.82	47.0	17.0	6.0
455-050-1016	5	16	87.00	80.0	18.0	60.3	20.0	48.9	25.10	42.9	25.0	6.5
455-050-1020	5	20	107.10	100.0	30.0	70.0	20.0	50.5	26.86	44.0	18.5	6.5
455-050-1022	5	22	117.10	110.0	30.0	80.0	20.0	50.5	31.70	44.0	18.5	6.5
455-050-1025	5	25	132.10	125.0	34.0	90.0	20.0	53.5	36.36	47.0	18.0	6.5
455-050-1030	5	30	157.10	150.0	38.0	110.0	30.0	56.5	45.97	50.0	18.0	6.5

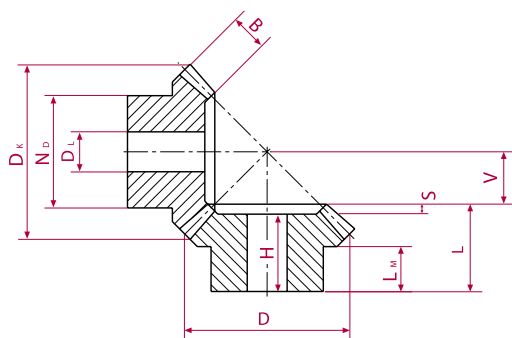
geradverzahnt
 20° Eingriffswinkel
 90° Achswinkel
 Material C45



Kegelräder A 1:2

GG-Bestellnr.	Modul	Z _z	D _k	D	B	N _b	D _L	L	V	H	L _M	S
	1.5	16	26.70	24.0	8.0	21.0	10.0	19.5	16.33	18.0	11.3	1.5
455-015-1632	1.5	32	49.30	48.0	8.0	32.0	12.0	20.0	7.45	17.0	10.0	3.0
	2	16	35.60	32.0	10.0	26.0	10.0	23.0	22.41	21.0	12.2	2.0
455-020-1632	2	32	65.80	64.0	10.0	40.0	12.0	25.0	10.21	21.0	10.0	4.0
	2.5	16	44.40	40.0	12.0	34.0	12.0	27.5	28.38	25.0	14.4	2.5
455-025-1632	2.5	32	82.20	80.0	12.0	50.0	15.0	25.0	14.10	20.0	10.0	5.0
	3	16	53.40	48.0	15.0	40.0	15.0	28.0	33.64	25.0	11.6	3.0
455-030-1632	3	32	98.70	96.0	15.0	60.0	15.0	30.0	15.31	24.0	10.0	6.0
	3.5	16	62.30	56.0	18.0	48.0	15.0	33.5	38.83	30.0	14.4	3.5
455-035-1632	3.5	32	115.10	112.0	18.0	70.0	20.0	31.0	17.77	24.0	10.0	7.0
	4	16	71.10	64.0	20.0	50.0	20.0	36.0	44.81	32.0	13.4	4.0
455-040-1632	4	32	131.60	128.0	20.0	80.0	20.0	32.0	20.42	24.0	10.0	8.0
	4.5	16	80.10	72.0	22.0	60.0	20.0	39.5	51.00	35.0	15.4	4.5
455-045-1632	4.5	32	148.00	144.0	22.0	90.0	25.0	36.0	23.21	27.0	10.0	9.0
	5	16	88.90	80.0	25.0	60.0	20.0	50.0	56.06	45.0	21.1	5.0
455-050-1632	5	32	164.50	160.0	25.0	100.0	25.0	38.0	25.52	28.0	10.0	10.0

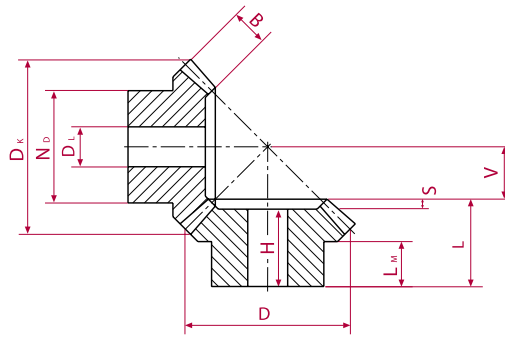
geradverzahnt
20° Eingriffswinkel
90° Achswinkel
Material C45



Kegelräder A 1:3

GG-Bestellnr.	Modul	Zz	D _K	D	B	N _D	D _L	L	V	H	L _M	S
	1.5	16	26.90	24.0	12.0	20.0	10.0	24.0	22.44	23.0	11.7	1.0
455-015-1648	1.5	48	72.90	72.0	12.0	50.0	15.0	20.0	7.27	17.0	10.0	3.0
	2	16	35.80	32.0	15.0	26.0	12.0	28.5	33.26	27.0	12.4	1.5
455-020-1648	2	48	97.30	96.0	15.0	60.0	15.0	23.0	9.90	19.0	10.0	4.0
	2.5	16	44.70	40.0	18.0	32.0	12.0	32.0	42.41	30.0	13.0	2.0
455-025-1648	2.5	48	121.60	120.0	18.0	70.0	20.0	26.0	13.23	21.0	10.0	5.0
	3	16	53.70	48.0	18.0	40.0	15.0	32.0	54.25	30.0	12.1	2.0
455-030-1648	3	48	145.90	144.0	18.0	80.0	20.0	29.0	16.20	23.0	10.0	6.0
	3.5	16	62.60	56.0	22.0	48.0	15.0	38.0	62.29	35.5	15.0	2.5
455-035-1648	3.5	48	170.20	168.0	22.0	90.0	20.0	31.0	18.48	24.0	10.0	7.0
	4	16	71.60	64.0	25.0	55.0	20.0	41.5	71.23	38.5	15.2	3.0
455-040-1648	4	48	194.50	192.0	25.0	100.0	22.0	33.0	21.20	25.0	10.0	8.0
	4.5	16	80.60	72.0	28.0	60.0	20.0	53.0	80.27	50.0	23.4	3.0
455-045-1648	4.5	48	218.60	216.0	28.0	100.0	25.0	49.0	23.93	40.0	18.0	9.0
	5	16	89.50	80.0	35.0	60.0	20.0	60.0	85.61	57.0	22.5	3.0
455-050-1648	5	48	243.10	240.0	35.0	150.0	28.0	50.0	25.45	40.0	20.0	10.0

geradverzahnt
 20° Eingriffswinkel
 90° Achswinkel
 Material C45



Kegelräder A 1:4

GG-Bestellnr.	Modul	Z _z	D _k	D	B	N _b	D _L	L	V	H	L _M	S
	1.5	16	26.90	24.0	12.0	18.0	10.0	25.0	36.02	24.0	12.2	1.0
455-015-1664	1.5	64	96.70	96.0	12.0	70.0	15.0	22.0	8.53	19.0	10.0	3.0
	2	16	35.90	32.0	15.0	25.0	12.0	24.0	49.07	23.0	8.2	1.0
455-020-1664	2	64	129.00	128.0	15.0	80.0	20.0	24.0	11.79	20.0	10.0	4.0
	2.5	16	44.90	40.0	18.0	30.0	15.0	30.5	61.99	26.0	8.2	1.5
455-025-1664	2.5	64	161.20	160.0	18.0	90.0	20.0	29.0	13.77	24.0	10.0	5.0
	3	16	53.80	48.0	22.0	40.0	15.0	34.0	74.05	32.0	11.0	2.0
455-030-1664	3	64	193.50	192.0	22.0	100.0	20.0	30.0	16.41	24.0	10.0	6.0
	3.5	16	62.80	56.0	25.0	48.0	15.0	45.0	87.13	43.0	19.1	2.0
455-035-1664	3.5	64	225.70	224.0	25.0	100.0	25.0	50.0	19.32	43.0	22.0	7.0
	4	16	71.70	64.0	30.0	50.0	20.0	50.0	98.21	48.0	18.5	2.0
455-040-1664	4	64	257.90	256.0	30.0	120.0	28.0	50.0	21.72	42.0	20.0	8.0
	4.5	16	80.70	72.0	32.0	55.0	20.0	53.0	112.08	50.5	19.0	2.5
455-045-1664	4.5	64	290.10	288.0	32.0	130.0	30.0	53.0	24.83	44.0	23.0	9.0
	5	16	89.70	80.0	35.0	60.0	20.0	58.0	125.06	55.5	20.6	2.5
455-045-1664	5	64	322.40	320.0	35.0	150.0	30.0	58.0	27.65	48.0	25.0	10.0

geradverzahnt
20° Eingriffswinkel
90° Achswinkel
Material C45